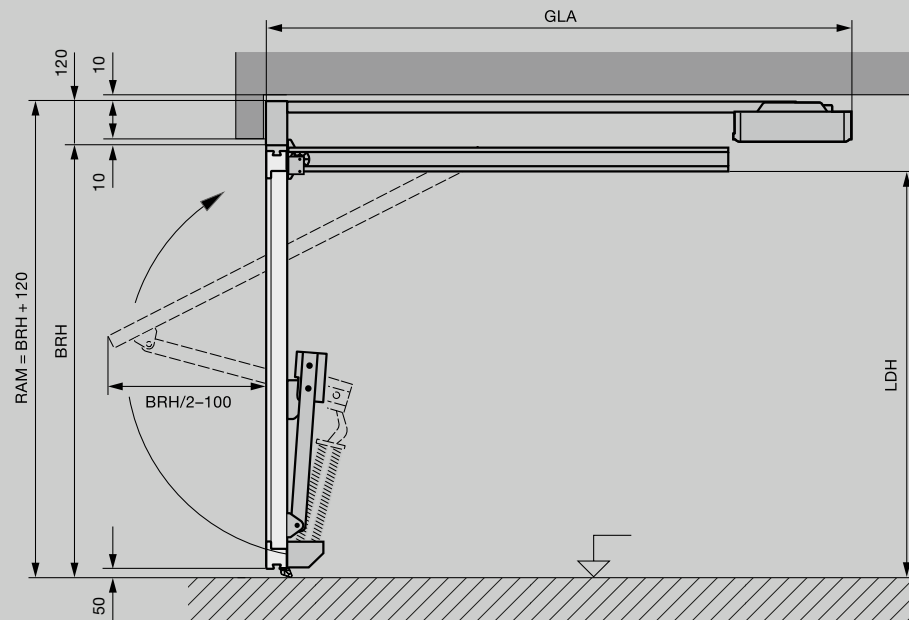


SIZES AND FITTING DATA N 500

Vertical view N 500

Fitting behind the opening



Explanations

- RAM Overall frame dimension
- LH Clear opening height
- LB Clear opening width
- LDH Clear passage height
- LDB Clear passage width
- BRH Nominal size height (ordering size)
- BRB Nominal size width (ordering size)

Overall length with operator GLA

SupraMatic	
BRH < 2500	3200
BRH < 2750	3450

Clear passage height LDH

BRB < 4000	= BRH - 130
BRB ≥ 4005	= BRH - 170

Clear passage width LDB

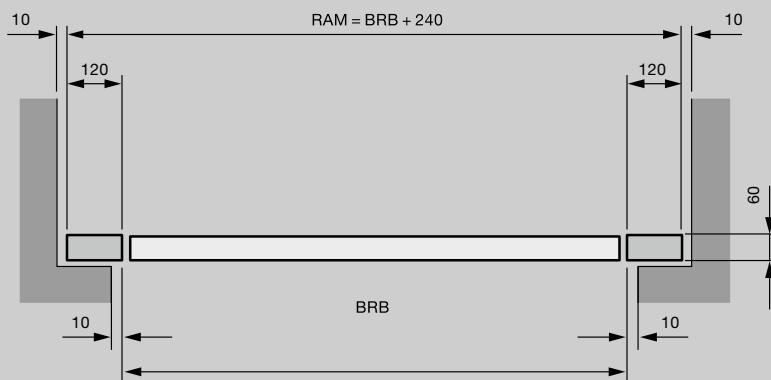
LDB	= BRB - 100
-----	-------------

Note

For further information, please see the fitting data or contact your Hörmann partner.

Horizontal view N 500

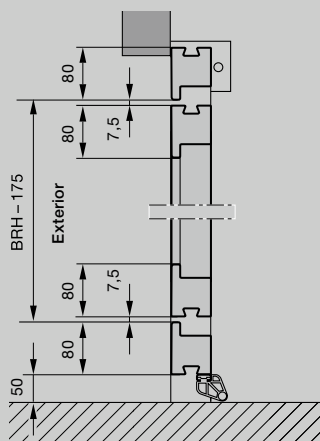
Fitting behind the opening



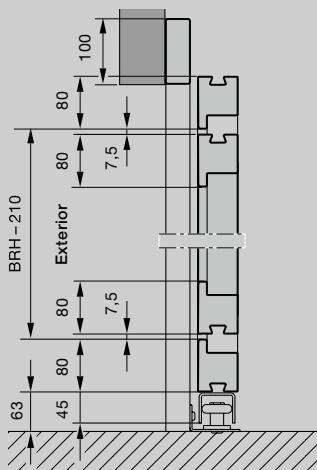
SIZES AND FITTING DATA WICKET DOOR

Wicket door vertical views

Non-protruding up-and-over door
ET 500 with wicket door



Sliding door
ST 500 with wicket door



Explanations

LDH	Clear passage height
LDB	Clear passage width
RAM	Overall frame dimension (ordering size)
BRH	Nominal size height
BRB	Nominal size width

Clear passage height LDH

ET 500	BRH - 175
ST 500	BRH - 210

Clear passage width LDB

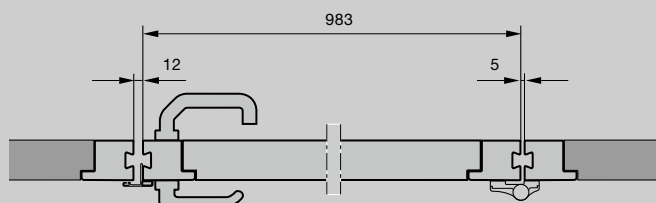
Min. 900 mm
Max. 1363 mm

Note

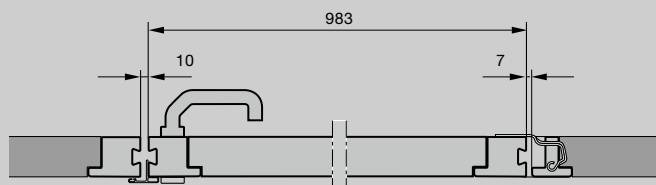
For further information and versions, please see the fitting data or contact your Hörmann partner.

Wicket door horizontal views

Non-protruding up-and-over door ET 500 with wicket door



Sliding door ST 500 with wicket door

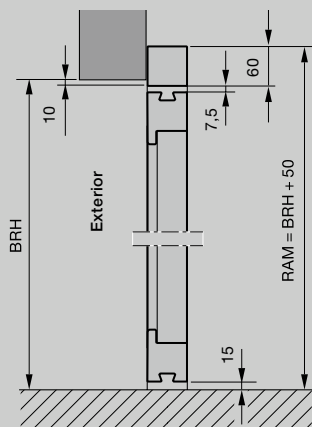


Dimensions in mm

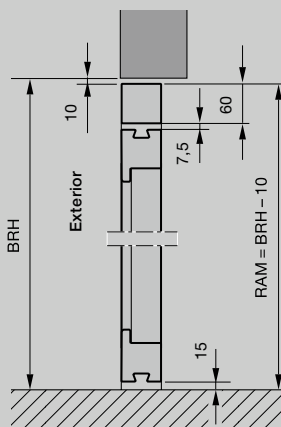
SIZES AND FITTING DATA SIDE DOOR

Side door vertical views

Fitting behind the opening



Fitting in the opening



Explanations

- LDH Clear passage height
- LDB Clear passage width
- RAM Overall frame dimension (ordering size)
- BRH Nominal size height
- BRB Nominal size width

Clear passage height LDH
Max. 2940 mm

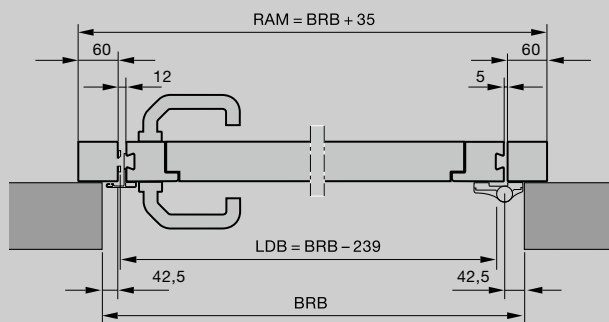
Clear passage width LDB
Max. 1363 mm

Note

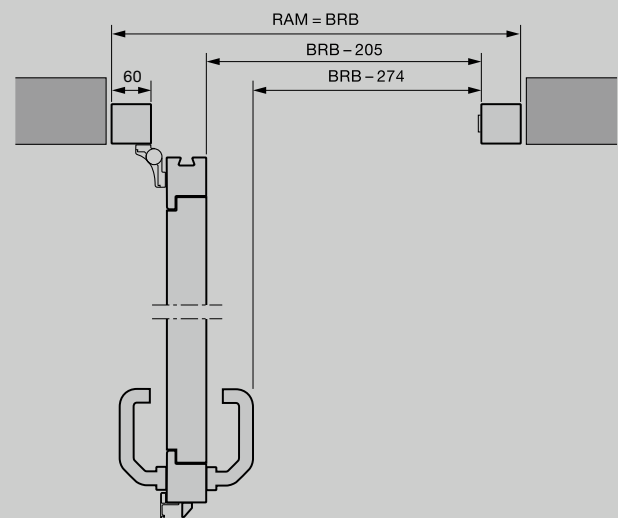
For further information, please see the fitting data or contact your Hörmann partner.

Side door horizontal views

Fitting behind the opening



Clear passage width at an opening angle of 90°



Fitting in the opening

